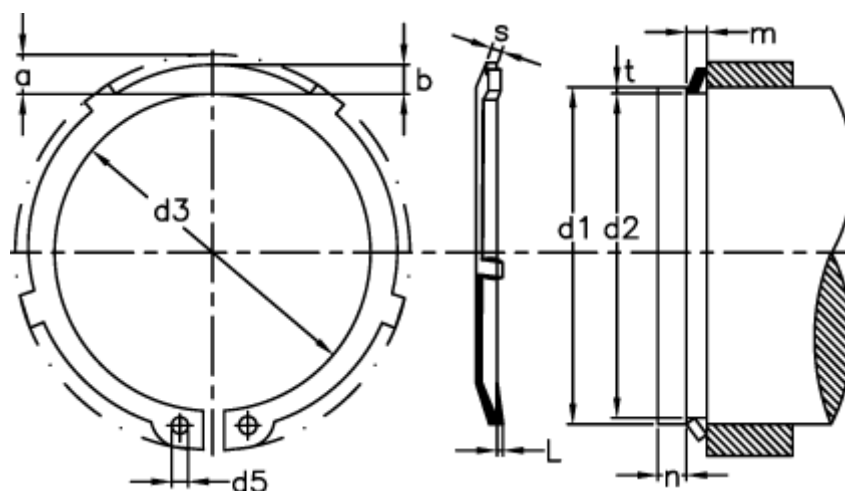


Article number: 0120084

Description: Retaining ring AL 75X2,5
Spring steel

Measures



| | | | | | |
|-------------|---------|---------------|---------|-----|---------------|
| a max | = 10.2 | FL max kN | = 1.88 | s | = 2.50 |
| b | = 7.0 | FN kN | = 57.60 | tol | = -0.30 |
| C kN/mm | = 2.34 | FRg kN | = 22.80 | tol | = +0,46 -1,10 |
| d1 | = 75 | FR kN | = 130.0 | u | = 0.20 |
| d2 | = 72.0 | g | = 3.0 | | |
| d3 | = 70.5 | L min | = 1.00 | | |
| d5 min | = 3.0 | m min | = 2.65 | | |
| Description | = AL 75 | Nominal drive | = 4.5 | | |